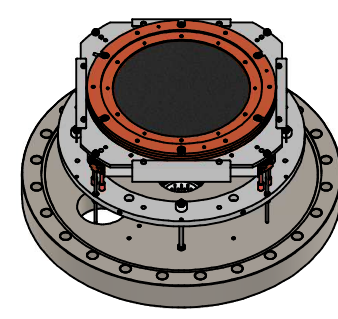
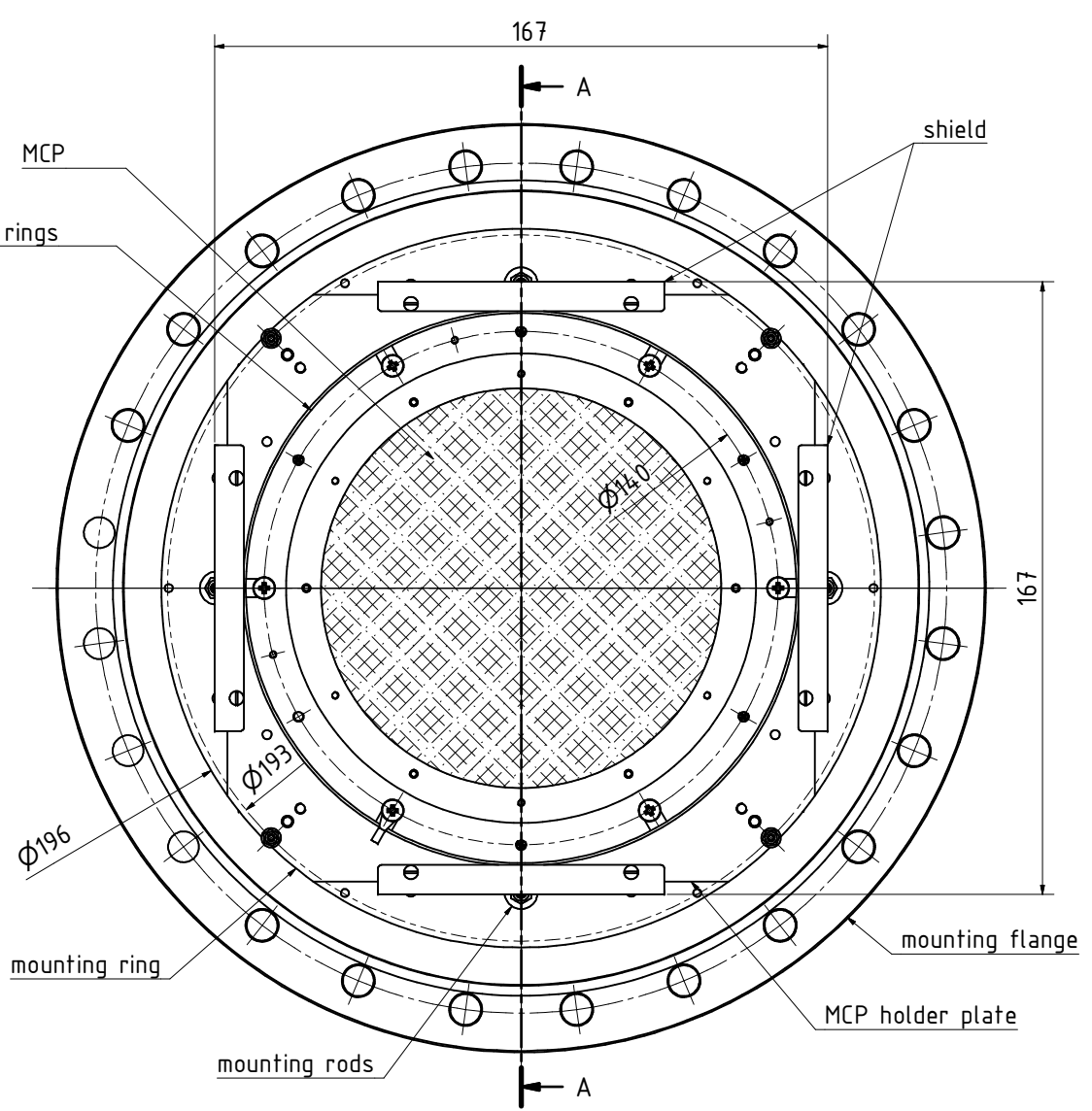



MCP

MCP copper rings



A-A (1:1)

 Roentek Superconducting X-ray Detector Technology Data Acquisition Systems Multi-Channel Imaging Systems		Datum Name	
		Gezeichnet 11.05.2026 Name gkastirke	
Status Änderungen Datum Name		DLD105	
		1 A2	